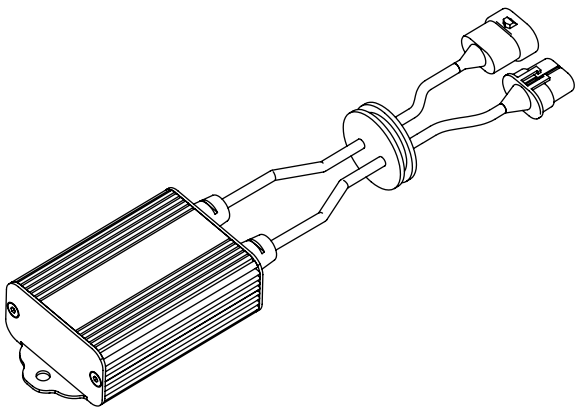


TINY MONSTER[®]

LED PERFORMANCE BULBS

DECODER



OWNER'S MANUAL



QUALITY IC'S



BUILT-IN GASKET



PLUG & PLAY



NEWEST DESIGN

THANK YOU!

Thank you for purchasing ARC Lighting products. Read this instruction manual thoroughly for proper use of the product. After completing your installation, please keep this manual for future reference.

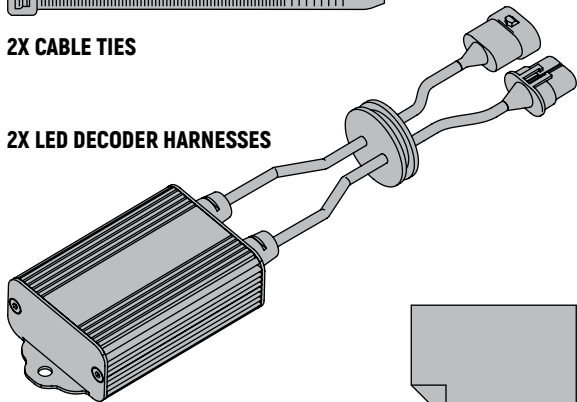
For additional product information and resources please visit www.arc.lighting/user-guide

PARTS

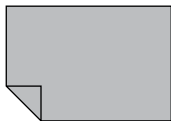


2X CABLE TIES

2X LED DECODER HARNESES



2X MOUNTING TAPE



IDENTIFY INSTALLATION TYPE



EXTERNALLY WIRED

The bulb can be accessed from the back of the housing without removing any caps or covers. Wiring for the bulb is visible and accessible outside of the housing.

INTERNALLY WIRED INSIDE COVER

To access the bulb a dust cap (generally plastic) must first be removed. Inside of the headlight housing there is wiring going to the bulb with plenty of space inside of the housing to fit the decoder harness.

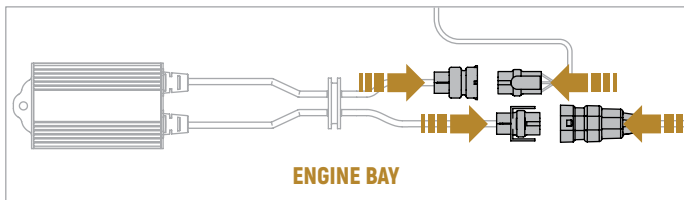
INTERNALLY WIRED OUTSIDE COVER

To access the bulb a dust cap (generally plastic) must first be removed. Inside of the headlight housing there is wiring going to the bulb, but there is not enough space inside of the housing to fit the decoder harness.

Externally Wired

STEP 1

Simply connect the decoder plugs to the LED bulb and the factory headlight harness.



STEP 2

Secure the metal control box of the decoder harness with the mounting tape or cable tie provided. Any existing holes for fasteners inside the engine bay may also be used.

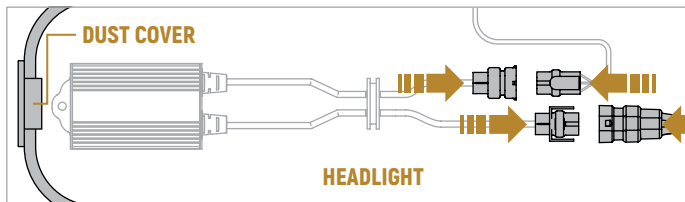
Internally Wired Inside Dust Cover

STEP 1

Remove the dust cover from the headlight housing.

STEP 2

Connect the decoder plugs to the LED bulb and the factory headlight harness.



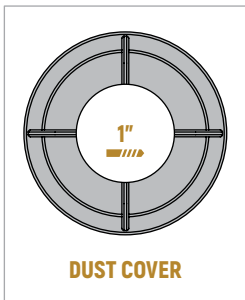
STEP 3

Secure the decoder harness to the inside of the headlight housing. To optimize the heat dissipation of the LED bulb, try to secure the decoder control box away from the LED bulb and the LED driver to avoid excess heat accumulation. Reinstall the dust cover.

Internally Wired Outside Dust Cover

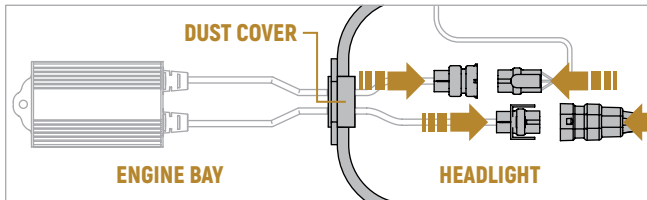
STEP 1

Remove the dust cover from the headlight housing. Drill a 1" hole in the center of the dust cover. Use the rubber grommet on the decoder harness wiring loom to seal the hole.



STEP 2

Connect the decoder plugs to the LED bulb and the factory headlight harness. Reinstall the dust cover.



STEP 3

Secure the metal control box of the decoder harness with the mounting tape or cable tie provided. Any existing holes inside the engine bay may also be used.



WARRANTY

Terms of this Warranty

ARC Lighting warranties all products from defects in material and workmanship for (2) two years from the retail date of purchase. This warranty applies only to the original purchaser and is non transferable. Your original sales receipt will serve as proof of purchase for this warranty. Before credit can be issued on a warranty claim, proof of defect may be required. This can be determined at the time of the claim.

Exclusions of this Warranty

Not covered under this warranty is failure due to neglect, improper installation including any modifications, alterations, abuse, accident, weather related damage or by any type of impact.

Repair and Replacement

In the event that your part is found to be defective under the terms of this warranty, it is at the discretion of ARC Lighting to repair or replace the defective part. All repairs must be made under the direction of ARC Lighting. ARC Lighting is not responsible for any removal, installation, reinstallation, or transportation costs associated with the warranted claim.

Please submit any warranty claim at www.arc.lighting/warranty. It only takes a few minutes to complete and streamlines the process.

TINY**MONSTER[®] DECODER**

Our Tiny Monster bulbs pack scary power in slim, sleek designs. They're compact and powerful and packed with the latest LED technology.

POWER	6.5W @ 13.5V DC
CURRENT	0.5A @ 13.5V DC
VOLTAGE	9 - 16V DC
WATERPROOF	IP67

NO MORE ERRORS OR FLICKERING.

Tiny Monster decoder harnesses do it all! They're designed to handle both CANbus and PWM systems used in the newest vehicles. Our decoders provide a plug & play solution to any LED headlight and fog light conversion.

Our decoder harnesses have been tested for compatibility in any Dodge, Chrysler, Jeep, VW, BMW, Audi or Mercedes-Benz system, as well as any other CANbus system currently in use.



ARC LIGHTING
(888) 608-2220 | WWW.ARC.LIGHTING



0320B