



# CONCEPT POD

SERIES

## 41012/41013/41022/41042

CONCEPT SERIES POD  
3" CUBE LED POD LIGHTS  
U MOUNT

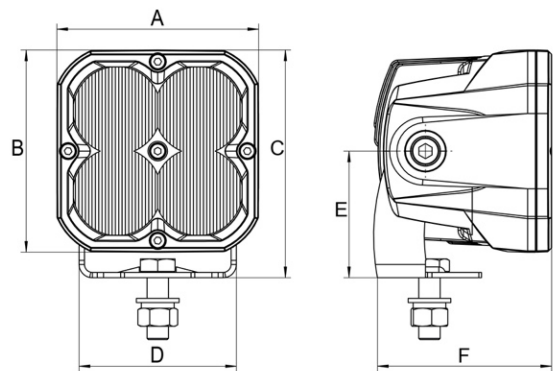
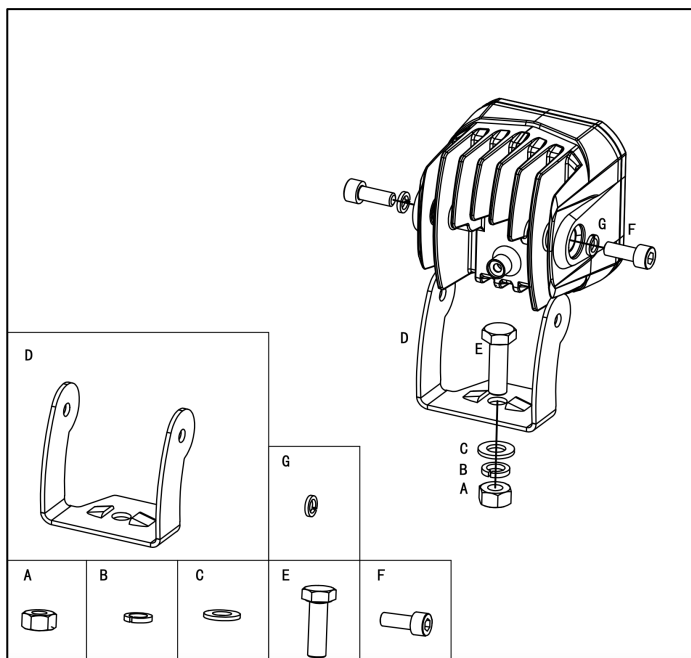
### WHAT'S INCLUDED:

- 2 X LED Pods
- 2 X U Mount Brackets
- Mounting Hardware

### FEATURES & SPECIFICATIONS:

- Light Output: 1500 Lumens (Per Light)
- Power: 20W @ 13.6V DC
- Current: 1.5A @ 13.6V DC
- Voltage: 10 - 36V DC
- Dimension (H,W,D): 3.4"x 3.0"x 2.6"
- Beam Pattern:
  - SKU 41012/41013: Fog Light (SAE J583)
  - SKU 41022: Auxiliary High Beam (SAE J581)
  - SKU 41042: Flood/Reverse (SAE J593)

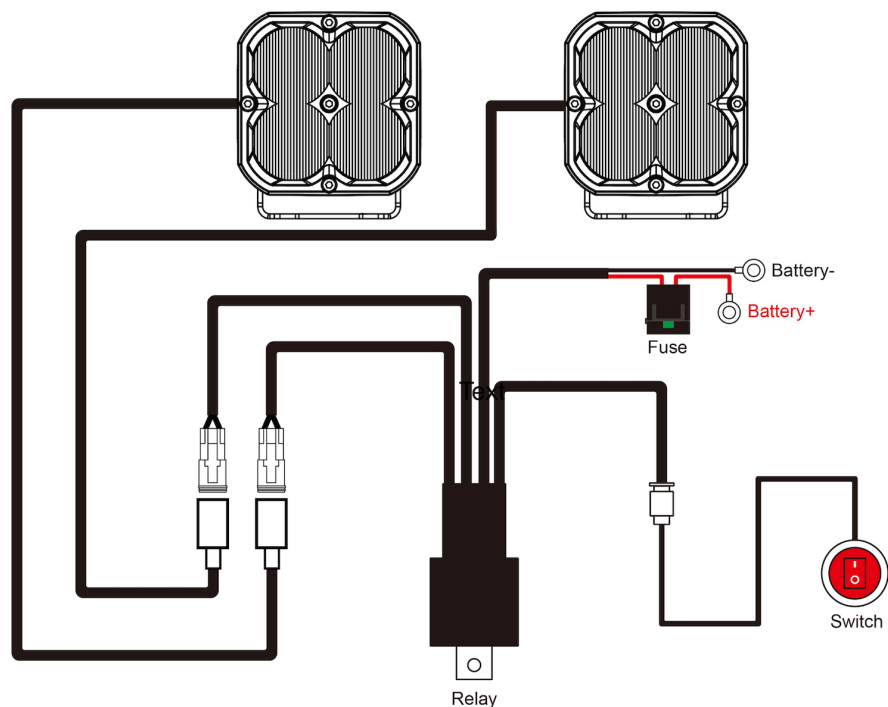
### MOUNTING BRACKET INSTALL INSTRUCTION



A - 3.00"    B - 3.00"    C - 3.37"    D - 2.32"  
E - 1.87"    F - 2.57"

## INSTALL INSTRUCTION

---



Wiring Harness (84002) sold separately

1. This installation guide is for the following SKUs:
  - 41012 - Concept Series Pod, 3" Cube LED Pod Lights, Fog Light, U Mount
  - 41013 - Concept Series Pod, 3" Cube LED Pod Lights, Fog Light, U Mount, Yellow Lens
  - 41022 - Concept Series Pod, 3" Cube LED Pod Lights, Driving Beam, U Mount
  - 41042 - Concept Series Pod, 3" Cube LED Pod Lights, Flood Beam, U Mount
2. Determine and suitable mounting locations to install the LED Pods, wiring harness and switch. Once all mounting locations are confirmed, connect the wires as shown above. Proper insulation at connections is required.
3. Connect positive wire and negative wire properly. Press the switch to test if the lights are functioning properly.
4. Adjust the light to the desired angle and then secure by tightening all mounting screws.