



**WHAT'S INCLUDED:**

- 2 X LED Pods
- 2 X U Mount Brackets
- Mounting Hardware
- 2 x 5202/PSX24W Adapters
- 2 x 9006/H10 Adapters

**CONCEPT POD**

**SERIES**

**41512**

**CONCEPT SERIES POD  
3" ROUND LED POD, FOG LIGHT,  
JEEP SPECIFIC MOUNT BRACKETS**

**41511**

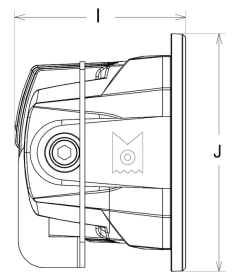
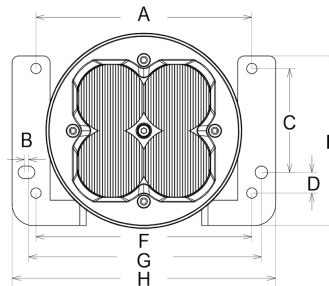
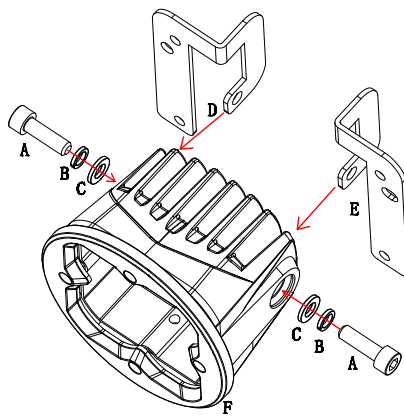
**CONCEPT SERIES POD  
3" ROUND LED POD, DRIVING BEAM,  
JEEP SPECIFIC MOUNT BRACKETS**

**FEATURES & SPECIFICATIONS:**

- Light Output: 1500 Lumens (Per Light)
- Power: 20W @ 13.6V DC
- Current: 1.5A @ 13.6V DC
- Voltage: 10 - 36V DC
- Dimension (H,W,D): 3.7"x 3.7"x 2.6"
- Beam Pattern:  
SKU 41512: Fog Light (SAE J583)  
SKU 41511: Auxiliary High Beam (SAE J581)

**MOUNTING BRACKET INSTALL INSTRUCTION**

	D
	E
	A
	C
	B
	F



A - 4.03"	B - 0.08"	C - 1.94"	D - 0.39"
E - 3.17"	F - 4.03"	G - 4.34"	H - 4.91"
I - 2.62"	J - 3.66"		

## INSTALL INSTRUCTION

---

1. This installation guide is for the following SKUs:
  - 41512 - Concept Series Pod, 3" Round LED Pod Lights, Fog Light, Jeep Specific Mount Brackets
  - 41511 - Concept Series Pod, 3" Round LED Pod Lights, Driving Beam, Jeep Specific Mount Brackets
2. See the diagrams above. Attach the bracket to the pod with hardware provided. Make sure the bracket is in the correct orientation.
3. Access your factory fog lights. Disconnect the fog light connector from the vehicle wiring harness. Remove the factory fog light housing. **Note:** Please keep the hardware of the factory fog lights. The factory hardware will be reused.
4. Align the holes on the mounting brackets with the holes of the vehicle. Install your LED pod using the factory hardware.
5. Use the included wire adapters to connect the pod to the vehicle wiring harness. There are two types of adapters for different vehicle applications. Please identify which factory harness your vehicle has and choose the right adapters that goes with it.
6. Test the function. The lights are designed to be polarized. If the light does not turn on, try flipping the connector 180°.
7. This kit is a direct swap of the factory fog lights for the vehicles below:
  - 2005-2010 Chrysler 300
  - 2006-2009 Chrysler PT Cruiser
  - 2011-2014 Dodge Charger
  - 2009-2017 Dodge Journey
  - 2005-2007 Dodge Magnum
  - 2014-2017 Jeep Cherokee
  - 2011-2013 Jeep Grand Cherokee
  - 2007-2018 Jeep JK Wrangler
  - 2018-2021 Jeep JL Wrangler Sahara/Rubicon (w/ Plastic Bumper)
  - 2020-2021 Jeep JT Gladiator Overland/Rubicon (w/ Plastic Bumper)