



WHAT'S INCLUDED:

- 2 x Round LED Pods
- 2 x Type A Fog Light Brackets
- Mounting Hardware
- 2 x H11 Adapters
- 2 x 5202/PSX24W Adapters

CONCEPT POD

SERIES

41522

**CONCEPT SERIES POD
3" ROUND LED POD, FOG LIGHT,
TYPE A MOUNT BRACKETS**

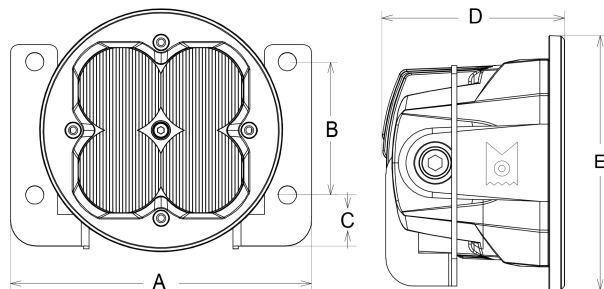
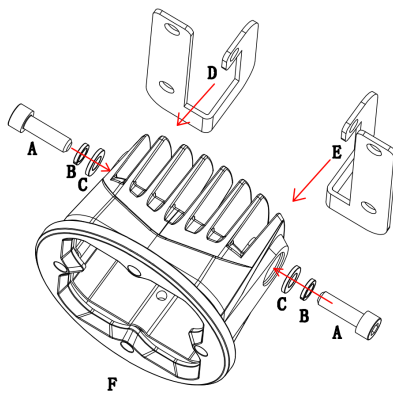
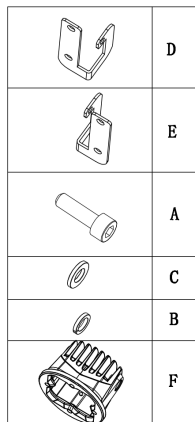
41521

**CONCEPT SERIES POD
3" ROUND LED POD, DRIVING BEAM,
TYPE A MOUNT BRACKETS**

FEATURES & SPECIFICATIONS:

- Light Output: 1500 Lumens (Per Light)
- Power: 20W @ 13.6V DC
- Current: 1.5A @ 13.6V DC
- Voltage: 10 - 36V DC
- Dimension (H,W,D): 3.7"x 3.7"x 2.6"
- Beam Pattern:
SKU 41522: Fog Light (SAE J583)
SKU 41521: Auxiliary High Beam (SAE J581)

MOUNTING BRACKET INSTALL INSTRUCTION



A - 4.53" B - 2.01" C - 0.77" D - 2.62"
E - 3.66"

INSTALL INSTRUCTION

1. This installation guide is for the following SKUs:
 - 41522 - Concept Series Pod, 3" Round LED Pod Lights, Fog Light, TYPE A Mount Brackets
 - 41521 - Concept Series Pod, 3" Round LED Pod Lights, Driving Beam, TYPE A Mount Brackets
2. See the diagrams above. Attach the bracket to the pod with hardware provided. Make sure the bracket is in the correct orientation.
3. Access your factory fog lights. Disconnect the fog light connector from the vehicle wiring harness. Remove the factory fog light housing. **Note:** Please keep the hardware of the factory fog lights. The factory hardware will be reused.
4. Align the holes on the mounting brackets with the holes of the vehicle. Install your LED pod using the factory hardware.
5. Use the included wire adapters to connect the pod to the vehicle wiring harness. There are two types of adapters for different vehicle applications. Please identify which factory harness your vehicle has and choose the right adapters that goes with it.
6. Test the function. The lights are designed to be polarized. If the light does not turn on, try flipping the connector 180°.
7. This kit is a direct swap of the factory fog lights for the vehicles below:

2013-2017 Acura ILX	2013-2015 Honda Accord
2010-2018 Acura RDX	2016-2021 Honda Civic
2012-2014 Acura TL	2013-2015 Honda Civic Si Sedan
2011-2013 Acura TSX	2013-2015 Honda Crosstour
2019 Ram 1500	2012-2014 Honda CR-V
2013-2016 Ford C-Max	2013-2016 Honda CR-Z
2012-2015 Ford Explorer	2010-2014 Honda Insight
2014-2017 Ford Fiesta ST	2012-2015 Honda Pilot
2009-2014 Ford Focus	2009-2014 Nissan Frontier
2005-2007 Ford Freestyle	2007-2012 Nissan Sentra
2013-2016 Ford Fusion	2016-2019 Nissan Titan
2006-2009 Ford Mustang	2005-2013 Nissan Xterra
2015-2017 Ford Mustang	2013-2016 Scion FR-S
2005-2007 Ford Ranger STX	2019-2021 Subaru Ascent
2008-2009 Ford Taurus X	2013-2017 Subaru BRZ
2010-2018 Ford Transit Connect	2013-2021 Subaru Crosstrek
2012-2016 Fiat 500	2014-2018 Subaru Forester
	2012-2014 Subaru Impreza
	2015-2019 Subaru Impreza (w/ Eyesight Package)
	2010-2014 Subaru Legacy