

WARNING - BEFORE INSTALLING THIS PRODUCT

- Verify all parts listed are in the box. If any parts are missing please contact the retailer for assistance.
- Read and understand all warnings and safety guidelines.
- Inspect product and if damage is found **DO NOT INSTALL**. Please contact the retailer for replacement.
- Verify that the electrical system can support the specified voltage limits for this product.
- If you are not qualified to work on vehicle wiring systems please seek professional assistance.
- Once installed do not look directly into LEDs while in operation! This may cause momentary blindness and/or eye damage.
- Usage of this product is at sole risk and responsibility of the user. Please follow all local, state and federal laws.

INCLUDED

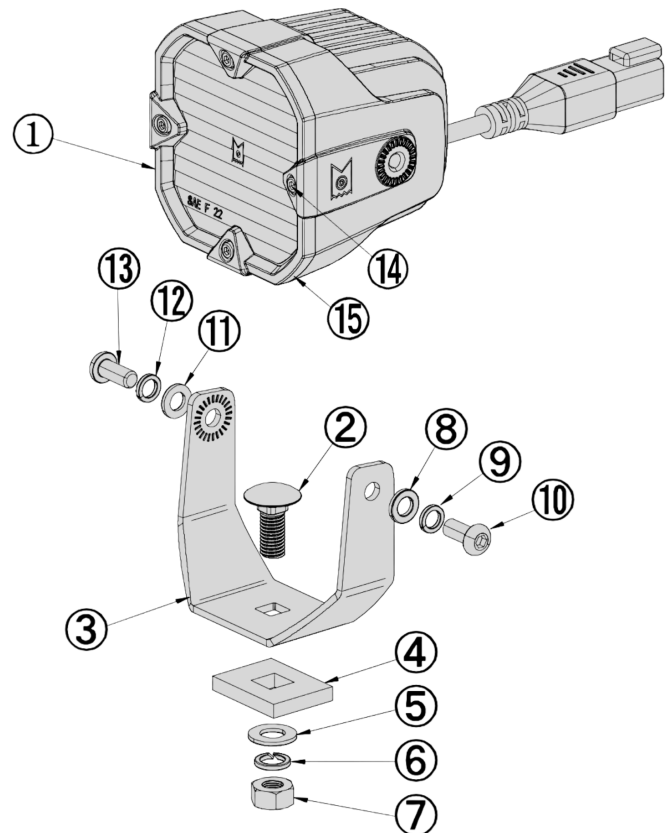
- 2x LED pods
- 2x Amber Fog lenses
- 2x Clear Driving lenses
- 2x Amber Hybrid lenses
- 2x Clear Hybrid lenses
- 2x DT wire pigtails
- 2x U mount brackets and hardware

INSTALLATION

1. Select area for installation making sure not to interfere with any vehicle safety systems.
2. Bracket installation. First, insert the carriage bolt into the bracket, align the mounting holes on both sides of the bracket with the mounting holes of the lamp body, then put the flat washers and lock washers into both sides and then tighten the hex cap bolt to lock the bracket with the main lamp body.
3. Insert bolt into U bracket mounting hole with rubber mounting gasket on surface.
4. Install flat washer, lock washer and retaining nut. Hand tighten until proper direction is achieved and then tighten fully. Do not overtighten or damage may occur.
5. Connect pigtail and verify light operation.
6. Aim lamp and tighten hex cap bolts.
7. SafeSwap™: Swap lens without breaking factory seal. After removal of the front frame screws, remove the front frame and replace the lens.
8. Congratulations, enjoy your Tiny Monster Concept Pod Pro!

NOTE: For wiring on #4211F / #4211D:

- Red to 12VDC (10amp fused)
- Black to negative

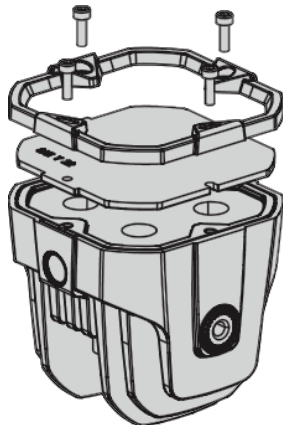
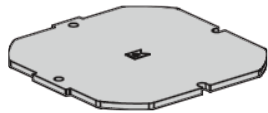
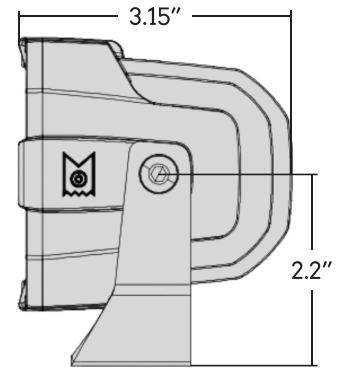
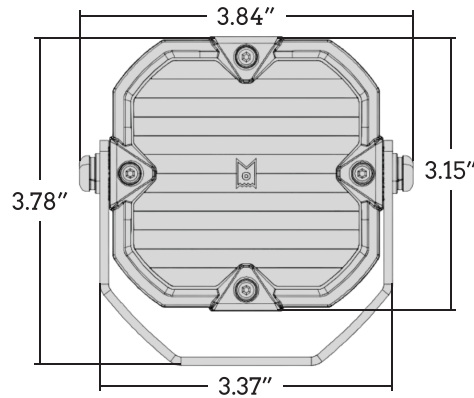


| PARTS LIST | | | |
|------------|-----------------|----|--------------------|
| 1 | Pod Light | 9 | Lock washer |
| 2 | Carriage bolt | 10 | Hex cap bolt |
| 3 | U-mount bracket | 11 | Flat washer |
| 4 | Mounting gasket | 12 | Lock washer |
| 5 | Flat washer | 13 | Hex cap bolt |
| 6 | Lock washer | 14 | Front frame screws |
| 7 | Retaining nut | 15 | Front frame |
| 8 | Flat washer | | |



SPECIFICATIONS

- Power: 32 Watts
- Operating voltage 10-48V
- 4x CREE XPP LED chips
- Clear and amber lens
- Ultra-strong UV stabilized polycarbonate lens
- Driving beam / offroad hybrid combo
- -40°F to + 185°F operating temp
- With Amber Fog or Clear Driving lenses:
 - SAE compliant
 - DOT street legal
 - EMC compliant



WARRANTY

ARC Lighting provides a 5 year warranty against manufacturing defects from date of purchase. If warranty service is needed, please contact the authorized dealer of where your product(s) were originally purchased.

Customer Support:

- Phone: (888) 608-2220
- Email: support@arc.lighting
- Website: www.arc.lighting/warranty-claim



ARC LIGHTING
 BASTROP, TEXAS 78602
 UNITED STATES OF AMERICA
WWW.ARC.LIGHTING



WARNING: CANCER AND REPRODUCTIVE HARM
WWW.P65WARNINGS.CA.GOV