

WARNING – BEFORE INSTALLING THIS PRODUCT

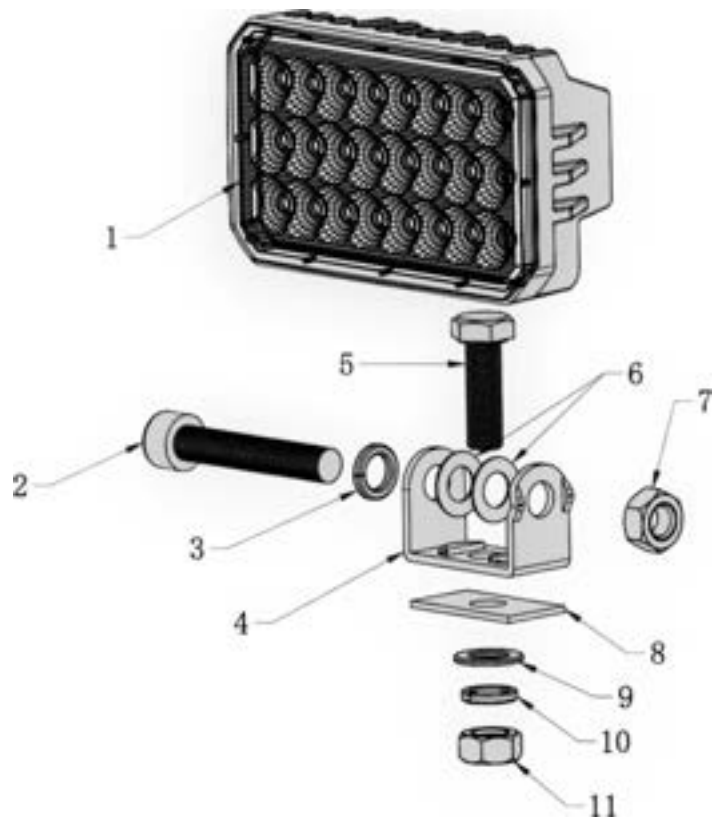
- Verify all parts listed are in the box. If any parts are missing please contact the retailer for assistance.
- Read and understand all warnings and safety guidelines.
- Inspect product and if damage is found **DO NOT INSTALL**. Please contact the retailer for replacement.
- Verify that your electrical system can support the specified voltage limits for this product.
- If you are not qualified to work on vehicle wiring systems please seek professional assistance.
- Once installed do not look directly into LEDs while in operation! This may cause momentary blindness and/or eye damage.
- Usage of this product is at sole risk and responsibility of the user. Please follow all local, state and federal laws.

INCLUDED

- 1x LED lamp
- U mount bracket
- 10" 2 wire pigtail (BB44041 only)
- 10" 3 wire pigtail (BB44042 only)
- Mounting hardware

INSTALLATION

1. Select area for installation making sure not to interfere with any safety systems on your vehicle.
2. U mount bracket is preassembled. Insert the mounting bolt (5) into the mounting hole with mounting gasket (8) on the mounting surface.
3. Install flat washer (9), lock washer (10) and retaining nut (11). Do not overtighten or damage may occur.
4. Switch on the lights to verify light operation. Aim lamp and tighten hex cap bolt (2) and nut (7).
5. Congratulations, enjoy your BUILT BRIGHT Work Pod Task.



PARTS LIST

1	Task light	7	Nut
2	Hex cap bolt	8	Mounting gasket
3	Lock washer	9	Flat washer
4	U mount bracket	10	Lock washer
5	Mounting bolt	11	Mounting nut
6	Flat washers		

WIRING

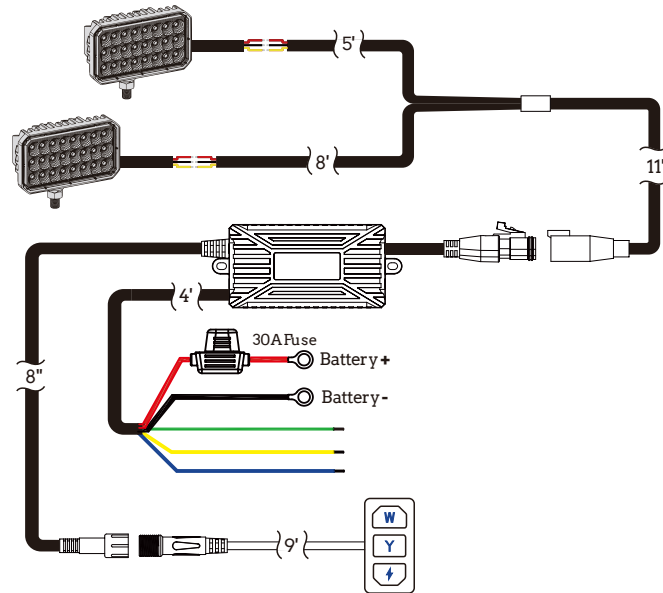
BB44041

- Plug and play wiring harness BB84041/BB84043 (sold separately) is recommended for BB44041. Connect the red wire to a 12VDC (5 amp fused) power source and black wire to chassis ground. Switch on the lights to verify light operation.

BB44042

- Plug and play wiring harness BB84042/BB84044 (sold separately) is recommended for BB44042 to activate dual color and strobe functionality. See diagram to the right for wiring instructions.

***BB84042 wiring harness shown below sold separately.**



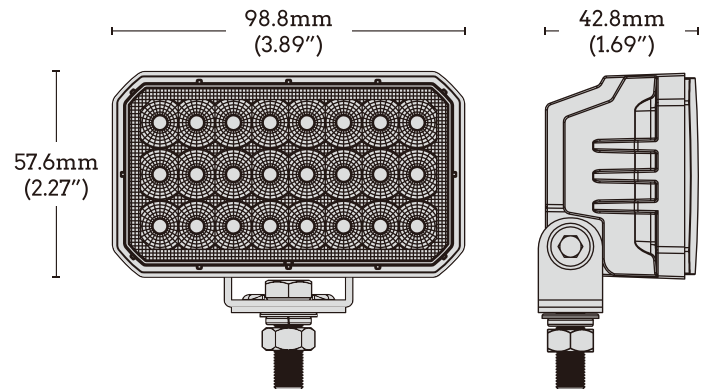
SPECIFICATIONS

BB44041

- Power: 30 Watts
- Current draw @ 12VDC: 3 Amps
- Operating voltage: 12-48V
- 24 LED chip array
- Ultra-strong UV stabilized polycarbonate lens
- EMC CISPR-25 Class 3 compliant

BB44042

- Power: 15 Watts (yellow); 20 Watts (white)
- Current draw @ 12VDC: 1.5 Amps (yellow); 2 Amps (white)
- Operating voltage: 12-48V
- 24 LED chip array
- Ultra-strong UV stabilized polycarbonate lens
- EMC CISPR-25 Class 3 compliant



WARRANTY

ARC Lighting provides a 5 year warranty against manufacturing defects from date of purchase. If warranty service is needed, please contact the authorized dealer of where your product(s) were originally purchased.

Customer Support:

- Phone: (888) 608-2220
- Email: support@arc.lighting
- Website: www.arc.lighting/warranty-claim



BUILT BRIGHT™
BASTROP, TEXAS 78602
UNITED STATES OF AMERICA
WWW.BUILT-BRIGHT.COM



**⚠ WARNING: CANCER
AND REPRODUCTIVE HARM
WWW.P65WARNINGS.CA.GOV**