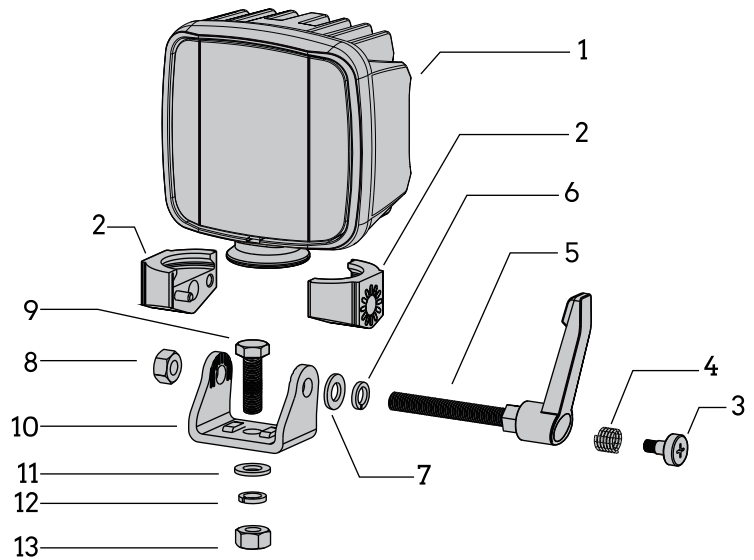


INCLUDED

- 1x LED lamp
- 1x DT pigtail connector
- 1x 360° mount bracket
- 2x "U" mount brackets
- Mounting hardware

INSTALLATION

1. Select the area for installation and make sure not to interfere with any safety systems on your vehicle.
2. The "U" mount bracket is not pre-assembled. Insert spring loaded adjusting lever and bolt into either "U" mount bracket.
Note: Two different height "U" mount brackets are provided for your convenience.
3. Switch on the lights to verify light operation. Aim the lamp and tighten the adjusting lever (5) and nut (8).
4. Congratulations, and please enjoy your BUILTBRIGHT Work Pod Task.



PARTS LIST			
1	Task light	8	Nut
2	Clamps	9	Mounting bolt
3	Phillips Screw	10	Mount Bracket
4	Spring	11	Flat washer
5	Adjusting Lever	12	Lock washer
6	Lock washer	13	Mounting Nut
7	Flat washer		

ANGLE ADJUSTMENT

To meet the demands of commercial use, we have configured this light with a toolless, robust spring loaded, locking lever and bolt to secure the light in place.

To adjust the light, place the light in the final orientation you wish and then lock the bolt by turning the spring loaded lever clockwise. To unlock, turn the bolt lever counterclockwise.

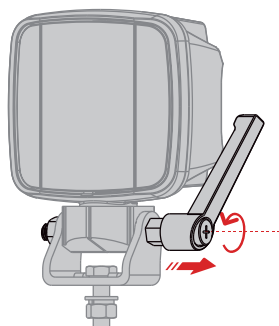


Figure 1

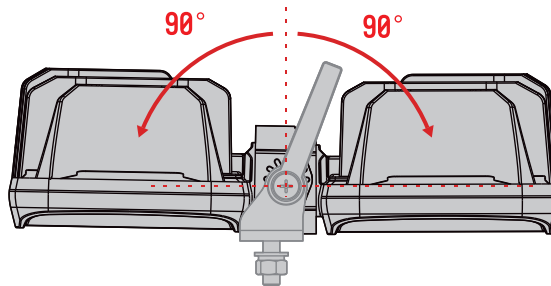


Figure 2
(With provided tall bracket)

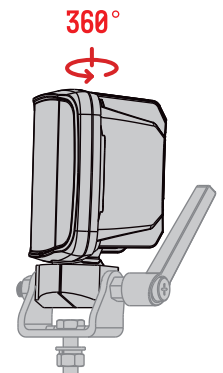


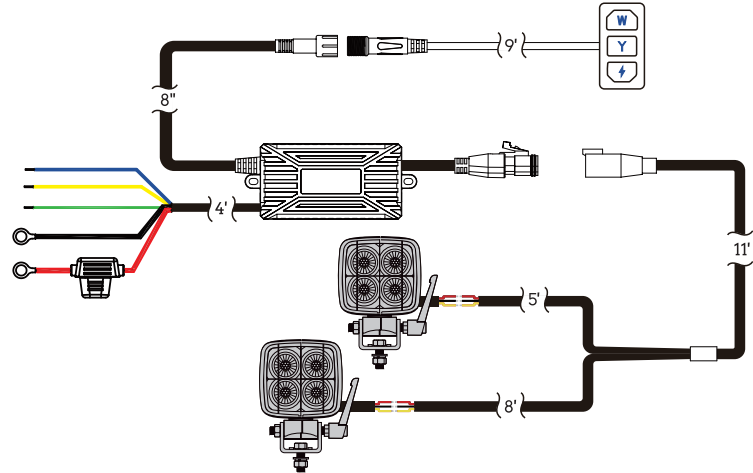
Figure 3

WIRING

BB45082

- Determine the appropriate mounting locations to install the LED Pods, wiring harness and switch. Once all the mounting locations are confirmed, connect the wires as shown here. Proper insulation at connections is required.
- Connect positive and negative wire properly. Press any button to test if the lights are working properly.
- Adjust the light to your desired angle and then secure by tightening all the mounting screws with the adjustment lever.

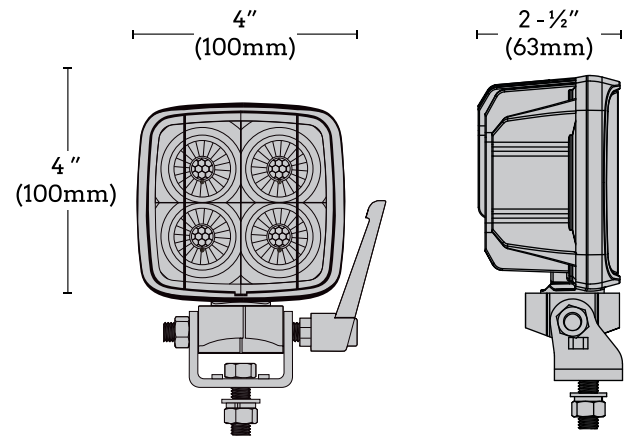
***BB84042/BB84044 wiring harness shown below sold separately.**



SPECIFICATIONS

BB45082

- Power: 80 Watts
- Current draw @ 12VDC: 5.5 Amps
- Lumen Output: 6,800 LM (White);
1,300 LM (Amber);
8,000 LM (Warm White)
- Operating voltage: 10-36V
- 16 LED chip array
- Ultra-strong UV stabilized polycarbonate lens
- EMC CISPR-25 Class 3 compliant



WARRANTY

BUILT BRIGHT provides a (5) year warranty against manufacturing defects from date of purchase. If warranty service is needed, please contact the authorized dealer of where your product(s) were originally purchased.

Customer Support:

- Phone: (888) 608-2220
- Email: support@built-bright.com
- Website: www.built-bright.com/pages/support



BUILT BRIGHT™
BASTROP, TEXAS 78602
UNITED STATES OF AMERICA
WWW.BUILT-BRIGHT.COM



**WARNING: CANCER
AND REPRODUCTIVE HARM**
WWW.P65WARNINGS.CA.GOV