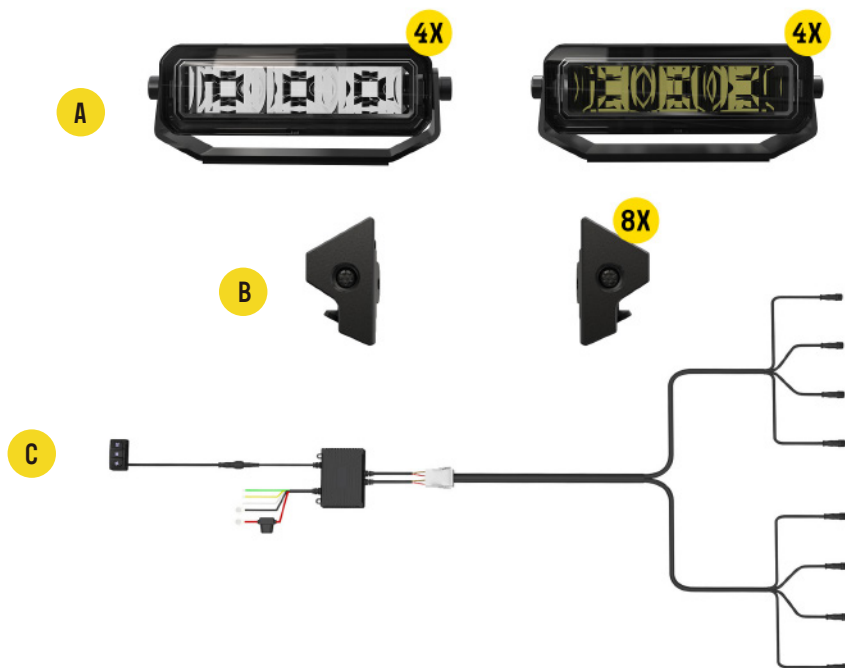




PART LIST

- A: 8x Concept Pod Mini III
- B: 8x Grille Brackets
- C: 1x Wiring Harness



REQUIRED TOOLS

- Security Torx L-Key (Included)
- M6 Hex Wrench (Not included)
- Zip Ties (Not included)



TECH NOTES

- No cutting or drilling is required for Tiny Monster Grille™ kit installation.
- Approximate install time: 40 minutes.

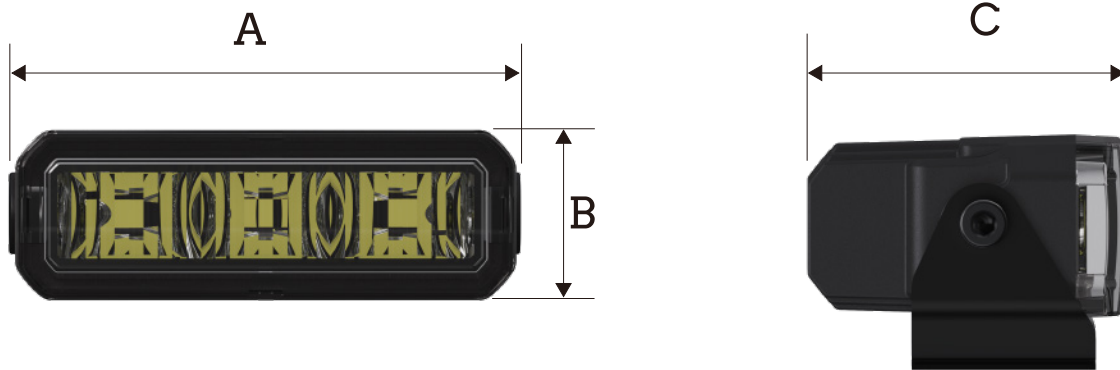
LIGHT

INCLUDED:

- 8X LED pods
- 8X U mount brackets
- Mounting hardware

SPECIFICATIONS

- Kit Output: 900 Lumens (Per light)
- Kit Power: 14W (Per light)
- Voltage: 10-30V DC
- Beam Pattern: Auxiliary Driving Beam
- Color : White/ Yellow
- Stainless steel side and bottom brackets



A: 3" B: 1" C: 1-³/₄"

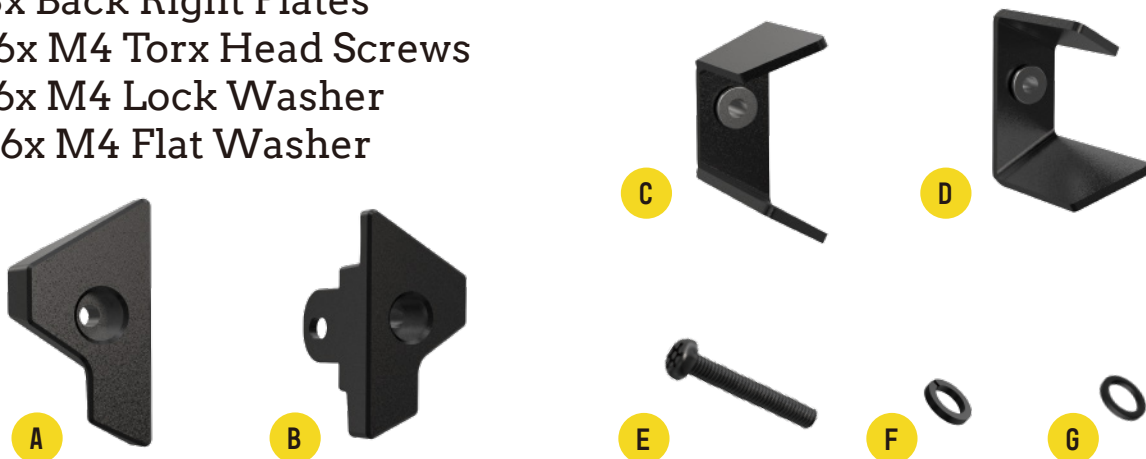
BRACKET

INCLUDED:

- A: 8x Front Left Plates
- B: 8x Front Right Plates
- C: 8x Back Left Plates
- D: 8x Back Right Plates
- E: 16x M4 Torx Head Screws
- F: 16x M4 Lock Washer
- G: 16x M4 Flat Washer

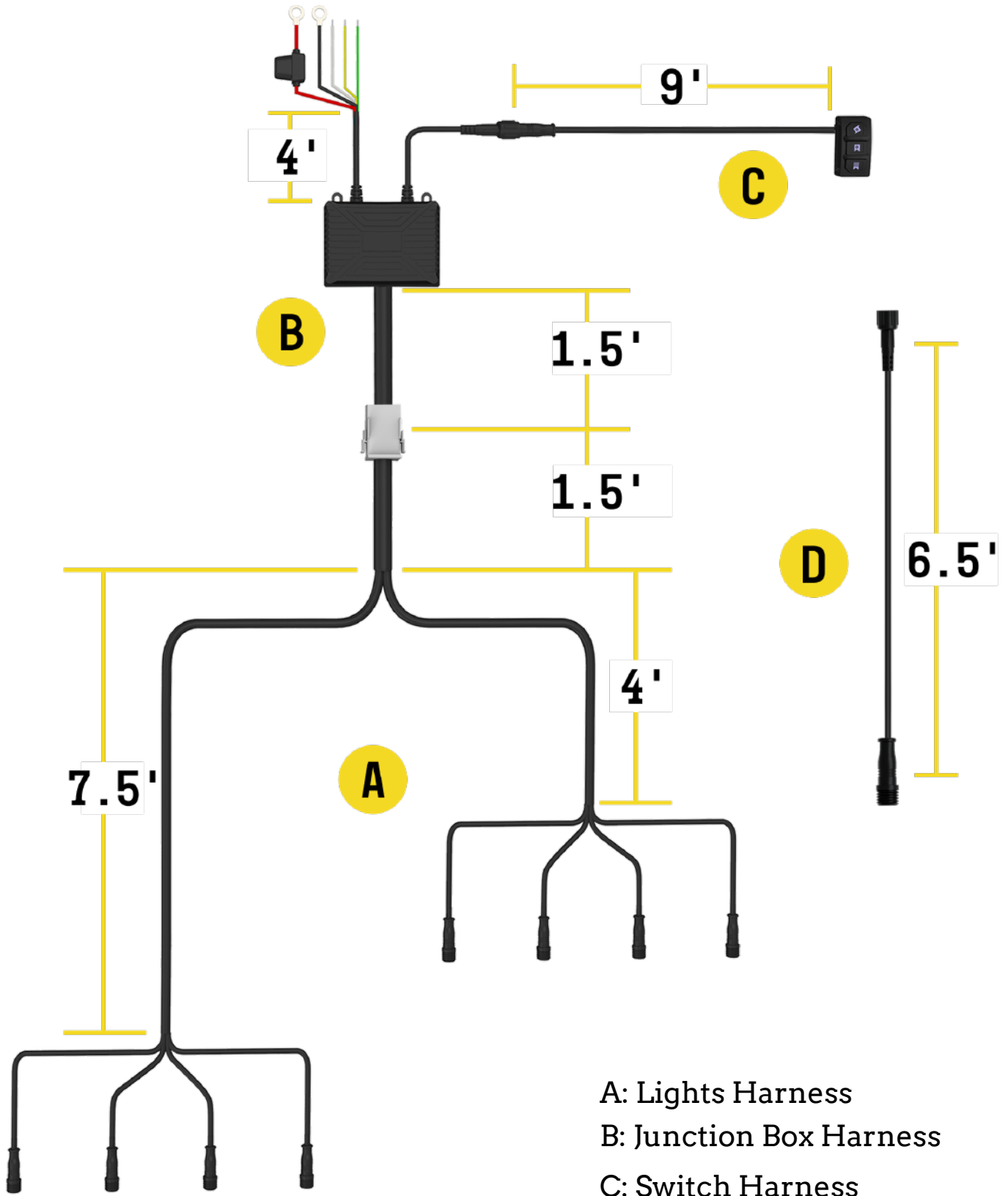
SPECIFICATIONS

- Bracket Material: 304 Stainless Steel
- Bracket Finish: Black Powder Coat





WIRING DIMENSIONS



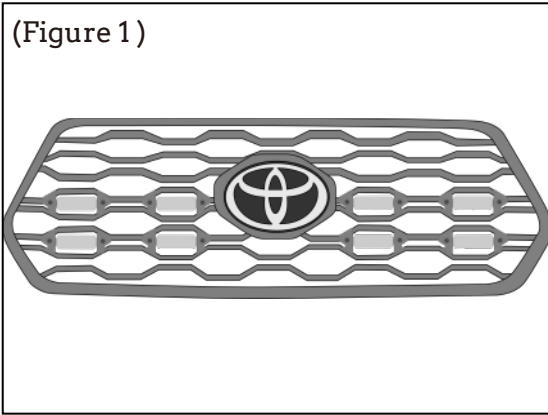
- A: Lights Harness
- B: Junction Box Harness
- C: Switch Harness
- D: Switch Extension Wire



STEP 1 - PLAN THE INSTALL

Determine where you want to install the lights on the grille. The bracket installation location can refer to Figure 1.

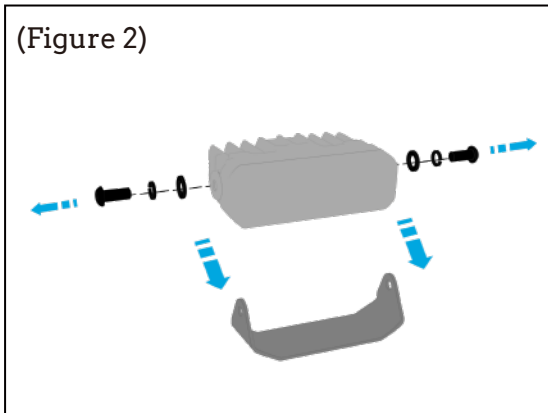
(Figure 1)



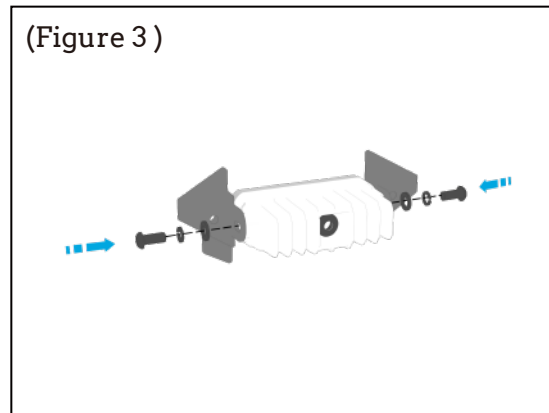
STEP 2 - INSTALL THE GRILLE BRACKET + LIGHT

1. Remove the U-mount bracket of the light itself. (Figure 2)
2. Orient the light with the vent screw facing up; this ensures the white light is on top, and the amber is on bottom.
3. Mount the front plates with two(2) M6 hex screws. (Figure 3)
4. Put the back plate at the back of the grille. (Figure 4)
5. Mount the lights to the back plates with two(2) torx head screws. (Figure 5)

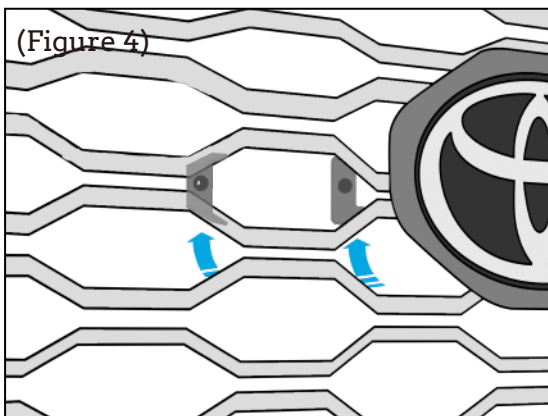
(Figure 2)



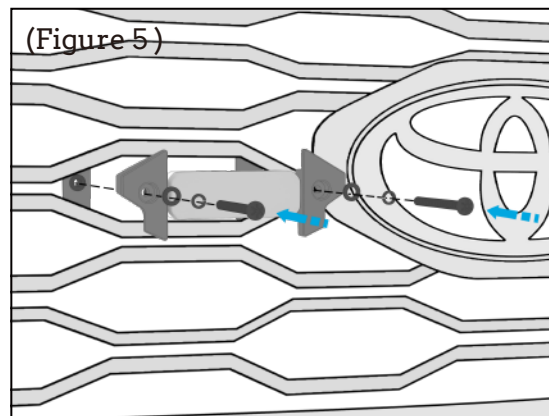
(Figure 3)



(Figure 4)



(Figure 5)



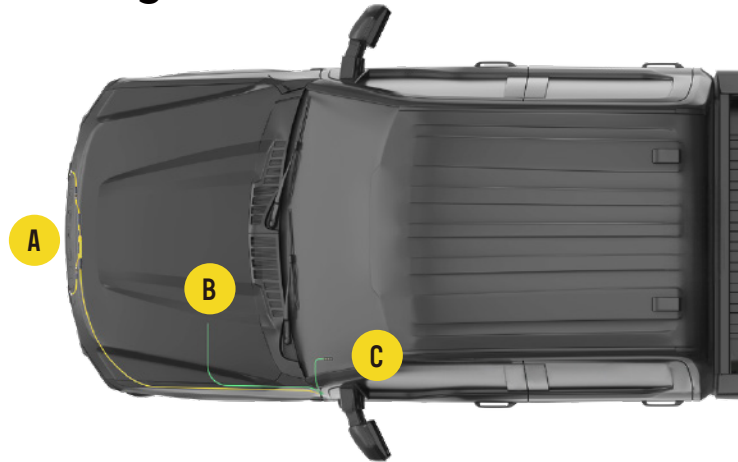


STEP 3 – INSTALL THE HARNESS AND LIGHTS

Route the light harness (A) under the cab and into the engine bay. Secure to the vehicle's wiring on the firewall or inner fender.

Route the light harness (A) into the grille and connect harness to the lights.

An example configuration is shown below :



STEP 4 – INSTALL THE LIGHT CONTROL

There are 3 options to control your strobe lights:

1. Use Provided Switch Panel
2. Use Upfitter Switches
3. Use 3rd Party Switches

Note: If the battery or fuse box of the vehicle is on the passenger side, you will need the switch extension wire (D) as shown on the wiring dimensions page.

This will extend between the power connector on the switch harness (C).

Each option is outlined individually on the next 2 pages.



STEP 4 OPTION 1 – USE PROVIDED SWITCH PANEL

1. Connect the Switch Harness (C) to the Junction Box Harness (B). Temporarily connect to a 12V DC power source to test switch functionality. Disconnect the Switch Harness (C) once verified.
2. Enlarge the main harness boot hole on the firewall and route the switch wire of the Junction Box Harness (B) into the cab.
3. Determine the switch panel location and route the Switch Harness (C) switch wire through or under the dashboard and connect it to the Junction Box Harness (B).
4. Connect the **BLACK** wire to ground. Connect the **RED** wire to battery power.



① **The white light switch.**

Press less than 1 second to turn the white light on or off.
Press and hold to turn off the white light.

② **The yellow light switch.**

Press less than 1 second to turn the white light on or off.
Press and hold to turn off the yellow light.

③ **The yellow strobe light switch.**

Press less than 1 second to turn the strobe light on, and press it again to switch to the next mode.
Press and hold to turn off the strobe light.
The sequence of modes will repeat as follows:

FLASH PATTERNS

1	DRL	4	Slow strobe
2	Hyper burst	5	Staggered Sequential Burst
3	Rapid strobe	6	Alternating Rapid Burst



STEP 4 OPTION 2 – USE UPFITTER SWITCHES

1. Locate the upfitter switch relay in the engine bay.
2. Connect the **BLACK** wire to ground.
3. Connect the **BLUE** or **YELLOW** or **GREEN** wire to the desired upfitter switch relay. See FIG. 1 for individual ACC wire function. When the upfitter switch is activated, that light and pattern will trigger.
4. Secure any slack with zip ties. Unused wires should be separated and protected using heat shrink or tape.



STEP 4 OPTION 3 – USE 3RD PARTY SWITCHES

1. See FIG. 1 for individual ACC wire function.
2. Follow the same wiring instructions from Option 2 above.

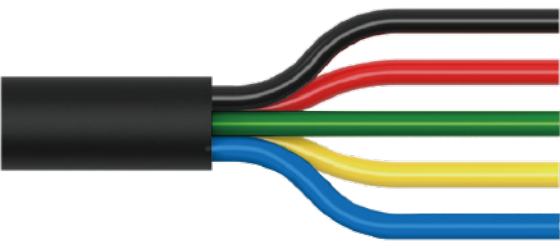


FIG. 1

- BLACK** - Ground
- RED** - To +V DC
- GREEN** - Yellow Strobe ACC
- YELLOW** - Yellow Light ACC
- BLUE** - White Light ACC